



BOARD OF COUNTY ROAD COMMISSIONERS
BOARD OF PUBLIC WORKS

COMMISSIONERS:

W.C. Askew, Sr., Reginald D. Boze, Doug Burleson, Gregory H. Kinney, Wayne Nelson

NOTICE TO BIDDERS

The Board of County Road Commissioners of Van Buren County is accepting sealed bids at the Road Commission office, 325 W. James St., P.O. Box 156, Lawrence, MI 49064 until **11:00 AM on Tuesday, April 28, 2026**, at which time and place the bids will be publicly opened and read as follows:

- CR380 from 76th Street to M-140, South Haven Township; crush and shape, trench, widen and drainage improvements, HMA leveling and top course paving

All bids must be in a sealed envelope and plainly marked as to the item bid upon and the name of the bidder. All unmarked bids and/or bids received after the submitted deadline may be rejected.

Detailed specifications and bidding forms may be obtained at the office of the Road Commission.

The Road Commission reserves the right to reject any or all bids, to waive irregularities in the bidding, and to award the contract in any manner deemed to be in the best interest of the Van Buren County Road Commission.

AN EQUAL OPPORTUNITY EMPLOYER
VAN BUREN COUNTY ROAD COMMISSION

NAME OF CONTRACTOR _____

PROPOSAL AND SPECIFICATIONS

FOR

CONSTRUCTION

VAN BUREN COUNTY

PROJECT NO. 459.2530 –HMA base crushing and shaping,
trenching, widening, and drainage improvements.
HMA leveling and top course paving. Approx 3885 feet long.

CR 380 from 76th Street to M 140.

South Haven Township

April 2, 2026

BOARD OF COUNTY ROAD COMMISSIONERS
OF VAN BUREN COUNTY, MICHIGAN

P.O. Box 156, 325 W. James Street, Lawrence, MI 49064

VAN BUREN COUNTY ROAD COMMISSION
ADVERTISEMENT FOR BIDS
COUNTY LOCAL ROAD CONSTRUCTION

The Board of County Road Commissioners of Van Buren County is accepting sealed bids at the Van Buren County Road Commission, located at 325 W. James Street, Lawrence, Michigan until **11:00 a.m., local time, April 28, 2026**, at which time bids be publicly opened and read.

PROJECT NO. 459.2530 – HMA base crushing and shaping, trenching, widening, and drainage improvements. HMA leveling and top course paving. Approx 3885 feet long

All bids must be submitted on forms furnished by the Road Commission and sealed in envelopes with the name and address of the bidder, and the item bid upon clearly marked thereon.

The Commission reserves the right to reject any or all bids, to waive minor technicalities, and to accept the bid that is deemed to be in the best interest of the Van Buren County Road Commission.

**BOARD OF COUNTY ROAD COMMISSIONERS
OF VAN BUREN COUNTY, MICHIGAN**

Doug Burleson, Chair
Reginald D. Boze, Vice-Chair
W.C. Askew, Sr., Member
Gregory H. Kinney, Member
Wayne Nelson, Member

BID and AWARD

Date_____

Board of County Road Commissioners
Of Van Buren County
P.O. Box 156
325 West James Street
Lawrence, MI 49064

To Whom It May Concern:

The undersigned has examined the specifications, and location of the work described herein and is fully informed as to the nature of the work and the conditions relating to its performance and understands that the quantities shown in the estimate are approximate only and are subject to either increase or decrease; and hereby proposed to furnish all necessary machinery, tools, apparatus and other means of performing the work, perform all the work, furnish all the materials except as otherwise specified herein, and, for the unit prices named in the accompanying unit price schedule, to complete work in strict accordance with the project plan and specifications therefore.

The undersigned further proposes to perform such extra work as may be ordered by you, prices for such work not being included in the itemized bid, compensation therefore to be made on the basis agreed upon before such extra work is begun through an executed change order.

Project completion must be completed by September 30, 2026. The schedule for liquidated damages is located in the general specifications.

The Contractor shall submit a progress schedule subject to approval by the Project Engineer with their bid.

BID SURETY

A Bid Bond or Certified Check must accompany this bid in an amount not less than five percent (5%) of the amount of the total bid, as based on quantities appearing on the form of the Proposal or other bid security as shall be outlined in the Proposal and/or the Special Provisions section of the Specifications. The Bid Bond or other security of the successful bidder will be held until the Contract has been duly executed.

PERFORMANCE AND PAYMENT BONDS

Only projects exceeding \$50,000 will require Performance and Payment Bonds.

The successful bidder shall furnish Performance and Payment Bonds in the amount of 25% of the contract amount in such form and with such sureties licensed to conduct business in the State of Michigan.

THE CONTRACT

The Contract Documents consist of the bid documents, this Agreement, Conditions of the Contract (General Supplementary, Special and other Conditions), Specifications, Addenda issued prior to execution of this Agreement, other documents listed in this Agreement and Modifications issued after execution of this Agreement; these form the Contract, and are as fully a part of the Contract as if attached to this Agreement or repeated herein. The Contract represents the entire and integrated agreement between the parties hereto and supersedes prior negotiation, representations or agreements, either written or oral. If anything in the other Contract Documents is inconsistent with this Agreement, this Agreement will govern.

The undersigned bidder agrees that the following is a complete and accurate list of all sub-Contractors/suppliers to be utilized if awarded this contract and any change from this list will be permitted only with the consent of the Board of County Road Commissioners of Van Buren County. **LIST NAME OF EACH SUB-CONTRACTOR/SUPPLIER AND BRIEF DESCRIPTION OF WORK TO BE DONE OR MATERIAL TO BE SUPPLIED.**

I hereby state that all of the information I have provided is true, accurate and complete. I hereby state that I have the authority to submit this bid, which will become a binding contract if accepted by the Board of County Road Commissioners of Van Buren County. I hereby state that I have not communicated with nor otherwise colluded with any other bidder, nor have I made any agreement with or accepted anything of value from an official or employee of the Board of County Road Commissioners of Van Buren County that would tend to destroy or hinder free competition.

In the event the bidder is a co-partnership, each member must sign this proposal.

In the event the bidder is a Corporation, this proposal must be executed by its duly authorized officials in accordance with its articles of incorporation and a certified copy of such articles must be attached hereto.

I hereby state that I have read, understand and agree to be bound by all terms of this bid document.

SIGNATURE: _____ NAME: _____
(TYPE OR PRINT)

TITLE: _____ DATE: _____

FIRM NAME: _____ PHONE: _____

ADDRESS: _____
Street Address City State Zip

STANDARD SPECIFICATIONS

The Standard Specifications for Construction of the Michigan Department of Transportation, 2020 Edition, as amended shall apply. Nothing herein will be construed to create any obligation or duty on the part of the Board of County Road Commissioners of Van Buren County, including obligations or duties which may be expressed or implied in the Standard Specifications for Construction of the Michigan Department of Transportation, unless specifically set forth in the contract documents.

The Contractor shall not receive any additional compensation due to delays caused by utility conflicts.

MACHINE GRADING, MODIFIED: The item of Machine Grading, Modified shall include all the excavation including approaches, ditches, driveways, embankment, shaping, cutting and filling of roadway to achieve the typical cross section within the right of way. The item Machine Grading, Modified also includes necessary scarifying, plowing, disking, moving, compacting and shaping the earth to develop the typical cross section as shown on the plans and the disposal of all surplus or unsuitable material. Ditches shall be graded to provide positive drainage. Machine Grading, Modified includes but is not limited to the following work:

- Removal of rocks/boulders
- Removal of stumps, wood or concrete
- Removal of incidental trees and brush within ditching area
- Removal and/or relocation of existing signs or mailboxes
- Removal and/or relocation of fences.
- Match drive and approach grades to existing.
- Topsoil stripping, stockpiling, placing and shaping of at least 3 inches deep.

METHOD OF PAYMENT FOR MACHINE GRADING, MODIFIED: Machine Grading, Modified will be paid for by the station at the contract unit price. The pay item shall be measured along the center of the existing roadway and shall include both sides of the roadway to the right of way.

PAY ITEM

PAY UNIT

Machine Grading, Modified

Sta

AGGREGATE BASE: Section 302 of the Standard Specifications will apply. The contractor will furnish, place, compact and shape the material to obtain a depth as specified for the length of the project. Aggregate Base material will be compacted to not less than 98% of the maximum unit weight. Density tests may be performed at the discretion of the Project Engineer or his representative.

Materials:

Materials shall meet the following requirements:

Dense-Graded Aggregate 22A as per section 902 of the Michigan Department of Transportation 2020 Standard Specifications for Construction. This material must either be approved by the Van Buren County Road Commission Project Engineer prior to use or be tested and documented by a third party testing company, approved by the Van Buren County Road Commission Project Engineer.

Construction:

Preparation of Base: When required, the existing aggregate surface shall be bladed, or scarified and bladed, to remove irregularities in the grade.

Placing and Compacting:

The aggregate shall be a uniform mixture and compacted in place with uniform density full depth. Aggregate shall not be placed when the base is unstable as determined by the Project Engineer or his representative.

METHOD OF PAYMENT AGGREGATE BASE: The item of Aggregate Base will be paid by the ton. Aggregate Base payment includes all labor, equipment and materials required for the construction, maintenance and removal of the aggregate surface. The pay quantity for this item shall not exceed the plan quantity unless the contractor has received a written change order from the Van Buren County Road Commission Project Engineer. Amounts in excess of the plan quantity will not be considered for payment unless an error in calculations is proven.

<u>PAY ITEM</u>	<u>PAY UNIT</u>
Aggregate Base, 6" in Trench	Ton
Aggregate Base, 2" Prior to Crush and Shape	Ton

CULVERTS: The items of culvert will include all labor and material for placing the new culverts as specified. Excavating and backfilling will be included in the item of Culverts. **Granular bedding, gaskets, geotextile fabric and backfill will be included in the item of Culverts.** Culverts vary in depth. All joints in culverts shall be wrapped with geotextile fabric.

It is the contractor's responsibility to protect all new culverts from damage by heavy equipment by ramping or other means necessary.

METHOD OF PAYMENT FOR CULVERTS The item of Culverts will be paid by the linear foot.

<u>PAY ITEM</u>	<u>PAY UNIT</u>
Culv, CI A, Conc, 48 inch	Ft
Culv End Sect, Conc, 48 inch	Ea
Culv, CI F, CSP, 15 inch	Ft
Culv End Sect, Metal, 15 inch	Ft

TRENCHING: The trench will be approximately 5 feet wide and 6 inches deep on both sides of the existing roadway and may vary to achieve the proposed typical cross section. Trenching shall be done prior to HMA Crushing and Shaping.

METHOD OF PAYMENT FOR TRENCHING: The item of Trenching, will be paid for by the station and will be measured along the centerline of the roadway for each side.

<u>PAY ITEM</u>	<u>PAY UNIT</u>
Trenching	Sta

DRIVEWAY, REINF CONC, 6 INCH: This work consists of construction reinforced concrete driveways as required by the contract. Construct driveways in accordance with subsection 803.03, for sidewalks, in the MDOT Standard Specifications for Construction Manual.

Use wire mesh reinforcement in accordance with Standard Plan R-29 Series

PAY ITEM

PAY UNIT

Driveway, Reinf Conc, 6 inch

Syd

TURF ESTABLISHMENT: This work consists of preparing all lawns and slopes that require slope restoration and applying topsoil, fertilizer, seed and mulch with mulch anchor. Section 816 of the Standard Specifications for Construction and Standard Plan R-100 Series will apply.

TURF ESTABLISHMENT includes all labor, equipment and materials required to install Fertilizer, Chemical Nutrient, Class A; Seeding Mixture; and Mulch and Mulch Anchoring.

1. Prior to the seeding operation, the topsoiled surface should be lightly disked or harrowed to provide acceptable soil condition for the seed. Should seeding be delayed and the surface becomes compacted or crusted, it will be necessary to disk or harrow again. Whenever an area is to be topsoiled, seeded, fertilized and mulched, it is desirable to pre-measure this area so the Contractor may determine amounts of materials to be placed in order to comply with the prescribed application rate. These pre-measurements should be kept in the project records to verify that application rates were reasonably close. Application rates are detailed in the specifications. Particular care should be paid to getting enough adhesive on mulch, as this is often a problem area that may result in a price adjustment on mulch when the adhesive is below the prescribed application rate.
2. Experience has identified several factors that influence the establishment of turf, and these have been further proven by the turf research program conducted by MDOT and Michigan State University. The most important factor is seed bed preparation, particularly on the heavier glacial tills where finishing operations tend to compact the soil. The soil should be loose and friable, at least 3 inches in depth, before placing topsoil. This is necessary to permit the fine hair roots of the grass seed to penetrate the soil deep enough to establish itself. The use of a pulvimixer or other means of loosening the soil is suggested.
3. Good quality seed, selected from the Qualified Products List and meeting the required specifications, is essential for a good catch of grass. The operation of seeding must be considered important and critical. Drilling, broadcasting and hydroseeding are among the methods of sowing currently in use, with better results ensuing from the drilling method.
4. Mulch may consist of straw, hay, marsh hay or mulch blanket. Hay is comparable to straw but will lay heavier and not adhere as well. However, it contains more permanent grass seed and less cereal grains. Sodding ditches is best, as mulch will float down the ditch plugging drainage structures or culverts. In applying mulch, winds should not be so strong that control of application is impossible. Adhesive should be applied along with the mulch or immediately following. Heavier applications along the shoulder help prevent the mulch from rolling up or whipping off by traffic. Mulch blanket material must be selected from the Qualified Products List. The blanket rolls will be a minimum of 3 feet (1 m) wide and will be placed with the netting on top and the wood fiber against the soil. Adjacent blankets will be placed snugly against each other and stapled to the slope at approximately 32-inch intervals along the joints, edges and centerline of the blanket.

MATERIALS:

Sections 816 and 917 will apply unless modified by this special provision or directed by the Engineer. The following materials must be used on this project:

1. Seeding, Mixture TUF
2. Fertilizer, Chemical Nutrient, Class A
3. Mulch and Mulch Anchoring.

CONSTRUCTION: Methods must be in accordance with subsection 816.03 of the Standard Specifications for Construction. Begin this work as soon as possible after final grading of the areas designated for slope restoration but no later than the maximum time frames stated in Subsection 208.03. It may be necessary, as directed by the engineer, to place materials by hand.

Shape, compact and assure all areas to be seeded are weed free prior to placing topsoil. Place topsoil to minimum indicated depth to meet proposed finished grade. If the area being restored requires more than the minimum depth of topsoil to meet finished grade, this additional depth must be filled using topsoil or, at the Contractor's option, embankment. Furnishing and placing this additional material is included in this item of work. Topsoil must be weed and weed seed free and friable prior to placing seed. Remove any stones greater than ½ inch in diameter or other debris. Apply seed mixture and fertilizer to prepared soil surface. Incorporate seed into top ½ inch of topsoil.

Apply mulch and mulch anchoring at a rate specified in subsection 816.03 of the Standard Specification.

If an area washes out after this work has been properly completed and approved by the Engineer, make the required corrections to prevent future washouts and replace the topsoil, fertilizer, seed and mulch. This replacement will be paid for as additional work using the applicable contract items. If an area washes out for reasons attributable to the Contractor's activity or failure to take proper precautions, replacement will be at the Contractor's expense.

The Engineer will inspect the seeded turf to ensure the end product is well established, weed free, in a vigorous growing condition, and contains the species called for in the seeding mixture. If the seeded turf is not well established at the end of the first growing season, the Contractor is responsible to re-seed until the turf is well established and approved by the Engineer.

If weeds are determined by the Engineer to cover more than 10 percent of the total area of slope restoration, the Contractor must provide weed control in accordance with subsection 816.03.J. Weed control will be at the Contractor's expense with no additional charges to the project.

MEASURE AND PAYMENT: The completed work as measured shall be paid for at the contract unit price for the following contract item (pay item).

<u>PAY ITEM</u>	<u>PAY UNIT</u>
Fertilizer, Chemical Nutrient, CI A	Lb
Mulch	Syd
Mulch Anchoring	Syd
Seeding, Mixture TUF	Lb

MINOR TRAF DEVICES: The pay item for Minor Traf Devices covers the following:

- Providing, installing, maintaining, relocating and removing traffic cones, barrels, barricades, arrow boards, temporary signage and other traffic devices.
- Maintaining local traffic.

PAY ITEM

PAY UNIT

Minor Traf Devices

LSUM

EXTENDED RESTORATION: The item of Extended Restoration will include all labor, material and equipment required to maintain the restoration of the construction site. The contractor shall be responsible for the permanent establishment of turf and maintaining the temporary and permanent soil erosion control measures for a period of one year from the date of final approval or when the site is stabilized and approved by the Engineer. This may include reseeding, maintaining check dams, silt fences and spillways, and fixing erosion on site. Before final acceptance of the work, the Contractor shall remove all unused materials, erosion control devices, and rubbish.

METHOD OF PAYMENT FOR EXTENDED RESTORATION: The item of Extended Restoration will be paid for as a lump sum.

PAY ITEM

PAY UNIT

Extended Restoration

LSUM

GENERAL SPECIFICATIONS

MICHIGAN DEPARTMENT OF TRANSPORTATION – STANDARD SPECIFICATIONS

The work covered by this document will be done in accordance with the 2020 Michigan Department of Transportation Standard Specifications for Construction, except as qualified in supplemental specifications and special conditions of the Van Buren County Road Commission or as agreed to in writing at the time of the award of the contract.

DEFINITION OF TERMS

See Section 101 of Michigan Department of Transportation Standard Specifications for Construction, 2020.

SPECIAL CONDITIONS

Special requirements, regulations or directions applying to a particular project may be made a part of these specifications.

THE WORK

The work consists of the completed services, construction and/or paving by the Contract Documents and includes all materials and labor incorporated or to be incorporated therein.

RESPONSIBILITIES OF CONTRACTOR

- A. Responsibility for and Supervision of Construction. Unless otherwise stated herein, Contractor will be solely responsible for all construction under this Contract, including the methods, techniques, sequences, procedures and means and for coordination of all work. Contractor will supervise and direct the work to the best of the Contractor's ability, and give it all attention necessary for such proper supervision and direction.
- B. Discipline and Employment. Contractor will maintain at all times strict discipline among Contractor's employees and contractor agrees not to employ for work on the project any person unfit for without sufficient skill to perform the job for which he or she was employed.
- C. Furnishing of Labor, Materials, etc. Unless otherwise stated herein, Contractor will provide and pay for all labor, materials, and equipment, including tools, construction equipment and machinery, utilities, including water, transportation and all other facilities and services necessary for the proper completion of work on the contract documents.
- D. Payment of Taxes: Procurement of Licenses and Permits. Contractor will pay all taxes required by law in connection with work on the project in accordance with this agreement including sales, use, and similar taxes, and will secure all licenses and permits necessary for proper completion of the work, paying the fees for such licenses and permits.
- E. Compliance with Laws and Regulations. Contractor will comply with all laws and ordinances, and the rules, regulations or orders of all public authorities relating to the performance of work under and pursuant to this Agreement including, but not limited to, the Occupational Safety and Health Act of 1970, the Michigan Occupational Safety and Health Act, and the rules and regulations of the Michigan Construction Safety Commission.

RESPONSIBILITIES OF CONTRACTOR (CONT'D)

F. Compliance with Soil Erosion and Sedimentation Control Operating Procedures. Contractor shall comply with all Soil Erosion and Sedimentation Control Operating Procedures for the Van Buren County Road Commission as attached.

G. Responsibility for Negligence of Employees and Subcontractors. Contractor assumes full responsibility for acts, negligence or omissions of all of Contractor's employees on the project, for those of Contractor's, subcontractors and their employees and for those of all other persons doing work under a contract with Contractor.

H. Responsibility for Safety. Van Buren County Road Commission will provide traffic control devices as necessary. These traffic control devices may include Type II Barricades, Type III Barricades, and Construction Ahead or Road Work Ahead signs. The Contractor is responsible to maintain these devices for the duration of the project and report any damage immediately to the Project Engineer. Unless otherwise stated herein, at Contractor's expense, Contractor will take necessary precautions for the safety of, and the prevention of injury, loss and damage to, persons and property (including, without limitation, in term persons, members of the public, employees, Contractor's subcontractors and their respective employees, other contractors, their subcontractors and respective employees) on, about or adjacent to the location where the work is being performed, and will comply with all applicable provisions of safety rules, ordinances, codes, regulations, and orders of duly-constituted public authorities including, but not limited to the Michigan Manual of Uniform Traffic Control Devices.

I. Responsibility of Subcontractors. The Contractor will require any subcontractor hired by the Contractor for the purpose of performing any of the work described by the Contract documents to be bound by all of the terms and conditions of the Contract documents and to perform the work in accordance with the Contract documents. Each and every condition of the Contract documents, including without limitations, the RESPONSIBILITIES OF THE CONTRACTOR, will be made a condition of each subcontract entered into by the Contractor in conjunction with the performance of the work.

INDEMNIFICATION

To the fullest extent permitted by law, the Contractor will indemnify, defend, and hold harmless the Board of County Road Commissioners of Van Buren County, its officers, employees, representatives and agents from and against any and all claims, damages, demands, payments, suits, actions, recoveries, judgments and/or expenses are attributable to bodily injury, sickness, disease or death, or to injury to or destruction of tangible property (other than the work itself) including loss of use resulting there from, but only if caused in whole or in part, by the act, omissions, fault, negligence or breach of conditions of this Contract by negligent acts or omissions of the Contractor, the Contractor's subcontractors, anyone directly or indirectly employed by them or anyone for whose acts they may be liable, regardless of whether or not such claim, damage, loss or expense is caused in part by a party indemnified hereunder. The Contractor will not, however, be obligated to indemnify the board of County Road Commissioners of Van Buren County, for any damage or injuries caused by or resulting from the sole negligence of the Board of County Road Commissioners of Van Buren County. Such obligation will not be construed to negate, abridge or otherwise reduce other rights or obligations of indemnity which would otherwise exist as a party or person described in this paragraph.

In claims against any person or entity indemnified under this Agreement by an employee of the Contractor, the Contractor's sub-contractors, anyone directly or indirectly employed by them or anyone for whose acts they may be liable, the indemnification obligation under this paragraph will not be limited by a limitation on amount of type of damages, compensation or benefits payable by or for the Contractor or the Contractor's subcontractors under worker's or workmen's compensation acts, disability benefit acts or other employee benefit acts.

INSURANCE

A. Contractor's Insurance. Prior to start of the Contractor's work, the Contractor will procure for the Contractor's work and maintain in force the completion of the work, worker's compensation insurance, employer's liability insurance, comprehensive general liability insurance and all insurance required of the contract under the contract documents.

"The Board of County Commissioners, The Board of County Road Commissioners, The Van Buren County Road Commission, and their officers, agents, and employees for claims arising out of, under, or by reason of operations covered by the permit issued to the permittee, as their interests may appear."

The insurance will include contractual liability insurance covering the Contractor's obligations under its agreement of indemnification as set forth herein.

B. Minimum Limits of Liability. The Contractor's comprehensive general and automobile liability insurance as required herein, will be written with limits of liability not less than the following:

- a. Comprehensive general liability including completed operations
 - (1) \$2,000,000.00 each occurrence or \$1,000,000 each occurrence with a \$1,000,000 umbrella
- b. Property damage
 - (2) \$1,000,000.00 each occurrence.

C. Number of Policies. Comprehensive general liability insurance and other liability insurance may be arranged under a single policy for the full limit required or by combination of underlying policies with the balance provided by an excess or umbrella liability policy.

D. Cancellation, Renewal or Modification. The Contractor will maintain in effect all insurance coverage required under Agreement at the Contractor's sole expense and with insurance companies acceptable to the Board County Road Commissioners of Van Buren County.

All insurance policies will contain a provision that the coverage afforded there under will not be cancelled or not renewed nor restrictive modifications added at any time after a certificate of insurance required under agreement has been issued before the work; as defined herein, has been completed, until at least thirty (30) days prior thereto written notice has been given to the Board of County Road Commissioners of Van Buren County unless otherwise specifically required in the Contract Documents.

Certificates of insurance or certified copies of policies acceptable to the Board of County Road Commissioners of Van Buren County will be filed with the Board of County Road Commissioners of Van Buren County prior to the commencement of the Contractor's work.

Nothing contained in this Agreement, nor the Board of County Road Commissioners of Van Buren County's compliance therewith, will relieve the Contractor from its obligations under the Contract to purchase and maintain required insurance or to indemnify the Board of County Road Commissioners of Van Buren County.

PROGRESS CLAUSE

The successful bidder will be required to submit a Progress Schedule, giving an outline of his proposed order of work and to indicate the dates for completion of the work. This outline, when approved by the Road Commission, will become a part of the contract.

TITLE VI REQUIREMENTS

"The Van Buren County Road Commission, in accordance with Title VI of the Civil Rights Act of 1964, 78 Stat. 252, 42 USC 2000d to 2000d-4 and Title 49, Code of Federal Regulations, Department of Federally-assisted programs of the Department of Transportation issued pursuant to such Act, hereby notifies all bidders that it will affirmatively insure that in any contract entered into pursuant to this advertisement, minority business enterprises will be afforded full opportunity to submit bids in response to this invitation and will not be discriminated against on the grounds of gender, disability, race, color, or national origin in consideration for an award."

The Road Commission reserves the right to reject any or all bids, to waive irregularities in the bidding and to award the bid in any manner deemed to be in the best interest of the Road Commission. Further, the Board reserves the right to cancel the award if the equipment is not delivered on or before the date set forth in the bid.

EXECUTION OF THE WORK

The Contractor will begin the work within five (5) days after being notified by the Road Commission of the award of the contract, unless this is inconsistent with the Progress Schedule, in which case the Progress Schedule will govern. He will execute the work in the order given in the Progress Schedule, with force and equipment adequate to complete the sections within the time limit therein fixed for completion. In case of failure to proceed with the work as rapidly as is provided in the Progress Schedule, or if it appears at any time that such work is not being prosecuted in such a manner as to insure its completion within time specified, the Road Commission will have the right to require the contractor to furnish and place in operation such additional force and equipment as the Road Commission will deem necessary to bring the work up to the Progress Schedule; and in case of the Contractor's neglect to do so, the Road Commission may place such working force and equipment on the work and charge the Contractor the cost of the labor and such rental and depreciation rates for the plan and equipment as in its judgment is reasonable, and for such time as the plant and equipment are in service.

ESTIMATED QUANTITIES

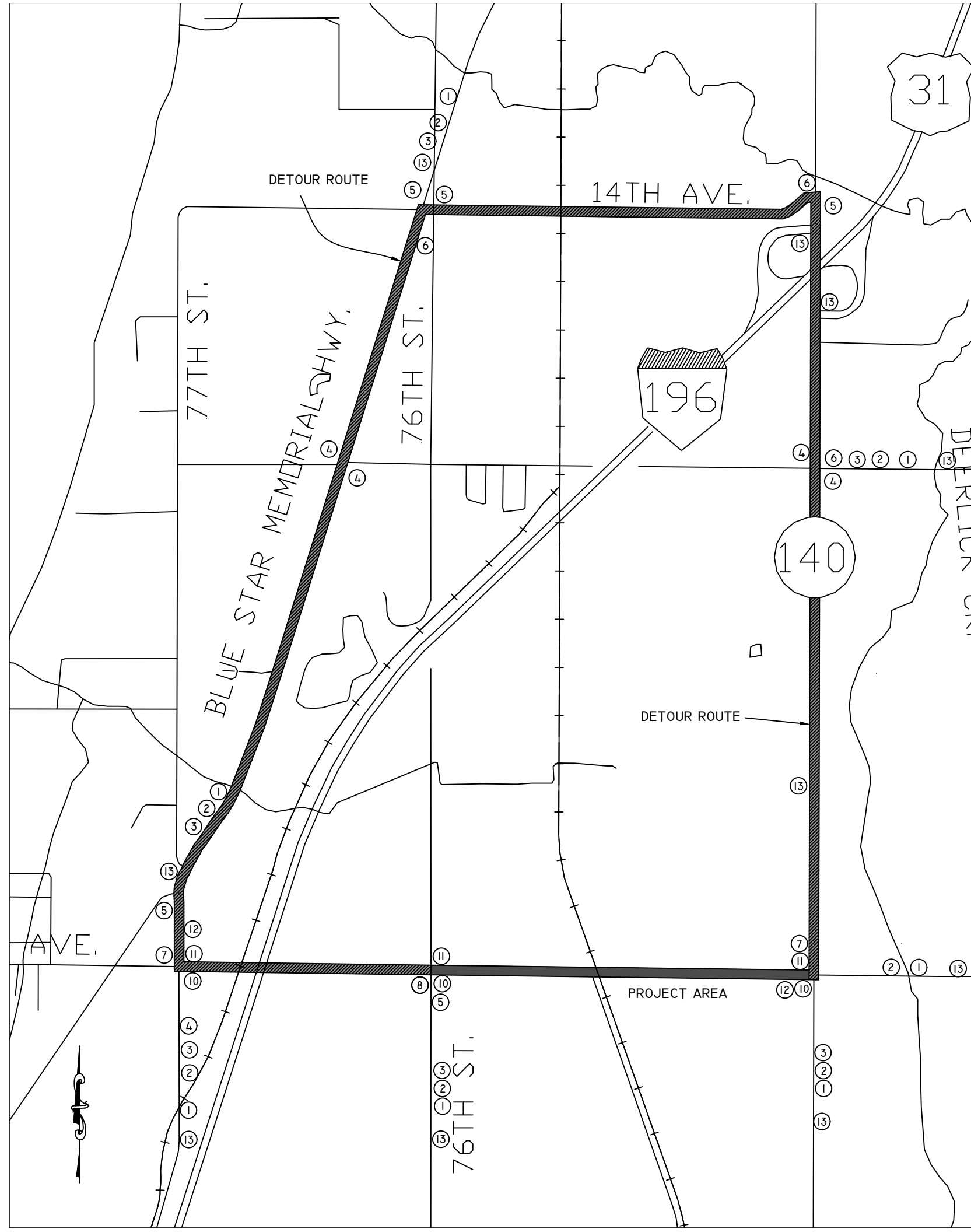
The quantities listed in the proposal are estimated quantities. Increases or decreases in quantities will not be considered as a basis for adjustment in unit prices and Articles 103.02 of M.D.O.T. Standard Specifications for Construction, 2020 will not apply in this regard.

LIQUIDATED DAMAGES

Failure to complete the project on or before the completion date specified will be assessed according to the following schedule:

	Original Contract Amount	Liquid Damages Per Calendar Day
\$	0 to 100,000	500
	>100,000 to 500,000	800
	>500,000 to 1,000,000	1,000
	>1,000,000 to 5,000,000	1,500
	>5,000,000 to 15,000,000	2,000
	>15,000,000	4,000

The liquidated damages may be delayed if the contractor meets the requirements set forth in Section 108.10 of the 2020 Standard Specifications for Construction. Approval of the Project Engineer is required.



LEGEND					
SIGN NO.	QTY.	SIGN DESIGNATION	DESCRIPTION	SIZE	AREA
1	7	W20-1		48 INCH X 48 INCH	112
2	7	W20-3		48 INCH BY 48 INCH	112
3	7	W20-2		48 INCH BY 48 INCH	112
4	4	M4-9		30 INCH BY 24 INCH	20
	4	D3-2A		36 INCH BY 12 INCH	12
5	5	M4-9		30 INCH BY 24 INCH	25
	5	D3-2A		36 INCH BY 12 INCH	15
6	3	M4-9		30 INCH BY 24 INCH	15
	3	D3-2A		36 INCH BY 12 INCH	9
7	2	D3-21		36 INCH BY 12 INCH	9
	2	M4-8A		24 INCH BY 18 INCH	9
8	2	R5-18C		48 INCH BY 48 INCH	32
9	0	BARRICADE TYPE III, HIGH INTENSITY		1 REQUIRED EACH LOCATION	NA
	0	R11-4		60 INCH BY 30 INCH	50
10	3	BARRICADE TYPE III, HIGH INTENSITY		1 REQUIRED EACH LOCATION	NA
	3	R11-3A		60 INCH BY 30 INCH	37.5
11	3	BARRICADE TYPE III, HIGH INTENSITY		1 REQUIRED EACH LOCATION	NA
	3	R11-4		60 INCH BY 30 INCH	37.5
	3	M4-10		48 INCH BY 18 INCH	6
12	2	G20-2		48 INCH BY 24 INCH	16
13	9	SF-1		48 INCH BY 24 INCH	72

CR 380 FROM
76TH STREET
TO M 140
SOUTH HAVEN
TWP.
DETOUR ROUTE

VAN BUREN COUNTY ROAD COMMISSION
325 W. JAMES ST., P.O. BOX 156
LAWRENCE, MI 49064

BETTER HIGHWAYS: SAVE LIVES
SAVE TIME
SAVE MONEY



459.2530

APRIL 1, 2026

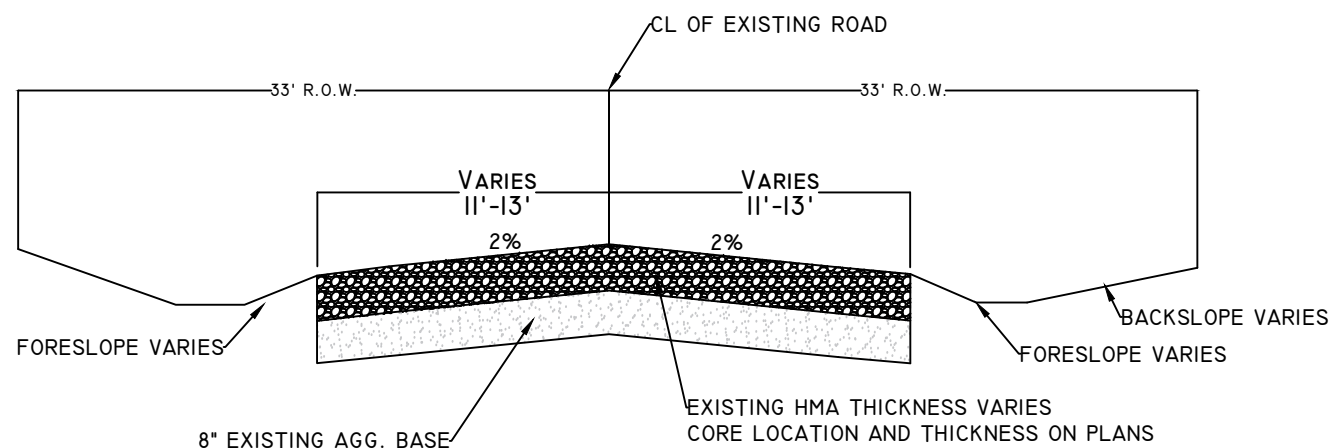
DATE	04-01-2026
PLANS	XX-XX-XXXX
REVISIONS	XX-XX-XXXX
REVISIONS	XX-XX-XXXX
PAGE	1 OF 5
DRAWN BY	DAVE MILLS

TYPICAL CROSS SECTIONS FOR CR 380/20TH AVE FROM 76TH TO M 140 SOUTH HAVEN TOWNSHIP

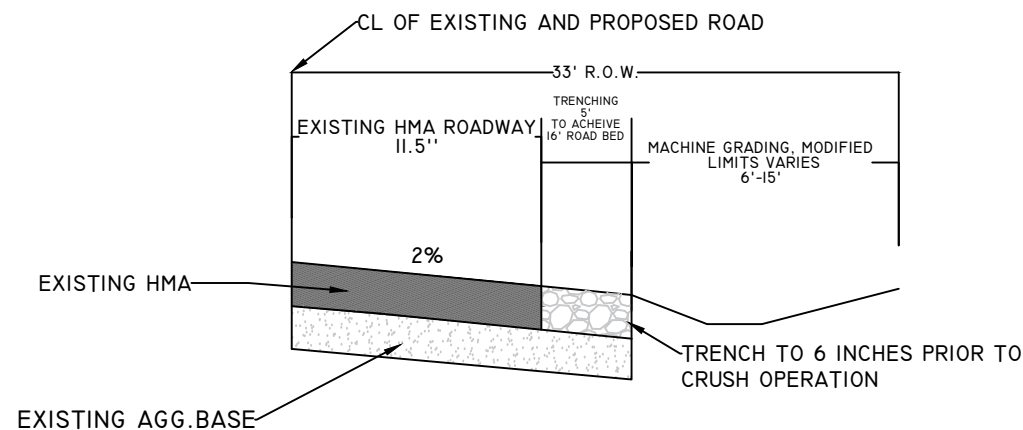
COUNTY ROAD
380
CRUSH AND
SHAPE,
TRENCH AND
WIDEN.

VAN BUREN COUNTY ROAD COMMISSION
325 W. JAMES ST., P.O. BOX 156
LAWRENCE, MI 49064

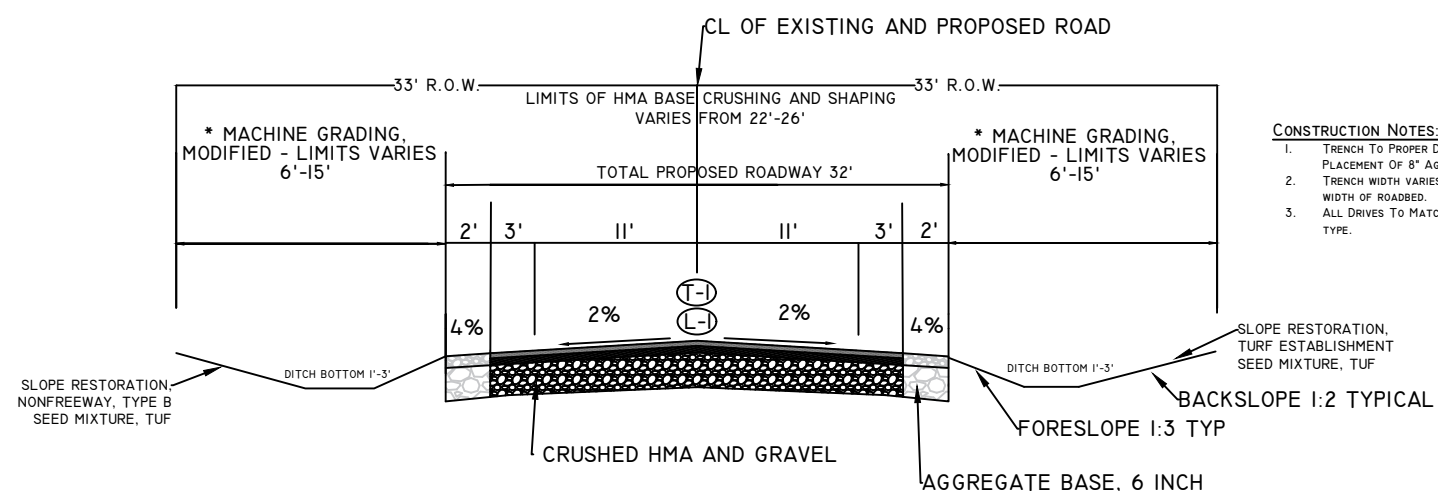
TYPICAL
CROSS SECTION



TYPICAL EXISTING SECTION



(1/2 SECTION) TRENCHING DETAIL
TYPICAL WIDENING (LEFT & RIGHT)



TYPICAL PROPOSED SECTION

CONSTRUCTION NOTES:

1. TRENCH TO PROPER DEPTH TO ACCOMMODATE PLACEMENT OF 8" AGGREGATE BASE.
2. TRENCH WIDTH VARIES TO ACHIEVE FULL 32' WIDTH OF ROADBED.
3. ALL DRIVES TO MATCH EXISTING SURFACE TYPE.

HMA APPLICATION NOTES:

1. SS-IH BOND COAT SHALL BE APPLIED BETWEEN SUCCESSIVE COURSES OF HMA. (PAYMENT FOR THIS MATERIAL IS INCLUDED IN THE HMA ITEM). APPLICATION RATE 0.05-0.15 GALLONS PER SQUARE YARD.
2. AGGREGATE WEAR INDEX +220 MIN. FOR HMA TOP.
3. THE HMA MATERIAL FOR DRIVEWAYS SHALL BE APPLIED AT 165 LB/SYD AND PAID FOR AS HMA APPROACH. THE RADII OF ALL DRIVEWAY APPROACHES SHALL MEET EXISTING CONDITIONS.
4. MEASUREMENT AND PAYMENT SHALL BE MADE AT THE CONTRACT UNIT PRICE PER TON.

***EMBANKMENT AND EXCAVATION TO ESTABLISH PROPOSED DITCHES PAID AS MACHINE GRADING, MODIFIED**

PROJECT NOTES

1. COORDINATE ALL TRAFFIC CONTROL WITH VAN BUREN COUNTY ROAD COMMISSION
2. HMA BASE CRUSHING AND SHAPING SHALL BE AT A DEPTH AVERAGING 8-12 INCHES.
3. REMOVE, STORE, AND RESET ANY EXISTING SIGNS AS DIRECTED BY THE ENGINEER.
4. CLEAN ADJACENT ROADWAYS WHEN NECESSARY.
5. APPLY DUST CONTROL TO SITE WHEN NECESSARY TO PREVENT AIRBORNE SEDIMENT TRANSFER.
6. TRENCHED MATERIAL MAY BE USED AS EMBANKMENT WHERE NECESSARY AND APPROVED BY THE ENGINEER.
7. FOR PROTECTION OF UNDERGROUND UTILITIES, THE CONTRACTOR SHALL CALL 1-800-482-7171 A MINIMUM OF THREE FULL WORKING DAYS, EXCLUDING SATURDAYS, SUNDAYS AND HOLIDAYS, PRIOR TO BEGINNING EXCAVATION IN AREAS WHERE PUBLIC UTILITIES HAVE NOT BEEN PREVIOUSLY LOCATED. THIS DOES NOT RELIEVE THE CONTRACTOR OF THE RESPONSIBILITY OF NOTIFYING OWNERS WHO MAY NOT BE A PART OF THE "MISS DIG" ALERT SYSTEM.

CROSS SECTIONS NOT TO SCALE

HMA APPLICATION TABLE					
ID	ITEM	AWI	YIELD	PERFORMANCE GRADE	NOTES
T-1	HMA, 4EL TOP	220	220 LB/SYD	P.G. 64-28	MAINLINE/INTERSECTIONS
L-1	HMA, 4EL LEVELING		275 LB/SYD	P.G. 64-28	MAINLINE/INTERSECTIONS
A-1	HMA, 4EL, APPROACH		165 LB/SYD	P.G. 64-28	FOR PAVED DRIVEWAYS
A-2	HMA, 4EL, APPROACH		165 LB/SYD	P.G. 64-28	FOR PAVED DRIVEWAYS
	HMA BOND COAT	NOT A PAY ITEM	.05 TO .15 GAL/SYD	SS-IH	



459.2930

MARCH 27, 2026

DATE
04-30-2025
REVISIONS
XX-XX-2026
REVISIONS
XX-XX-2025
REVISIONS
XX-XX-2025

PAGE 2 OF 5

DRAWN BY

DAVE MILLS



COUNTY ROAD
380
CRUSH AND
SHAPE,
TRENCH AND
WIDEN.

VAN BUREN COUNTY ROAD COMMISSION
325 W. JAMES ST., P.O. BOX 156
LAWRENCE, MI 49064

PLAN SET
STA 43+50 - 60+50



459.2930

MARCH 27, 2026

DATE	04-30-2025	PAGE 3 OF 5	DRAWN BY DAVE MILLS
DRAWN	XX-XX-2026		
REVISIONS	XX-XX-2025		
REVISIONS	XX-XX-2025		



COUNTY ROAD
380
CRUSH AND
SHAPE,
TRENCH AND
WIDEN.

VAN BUREN COUNTY ROAD COMMISSION
325 W. JAMES ST., P.O. BOX 156
LAWRENCE, MI 49064

PLAN SET
STA 60+50 - 77+50



459.2930

MARCH 27, 2026

DATE	04-30-2025	PAGE 4 OF 5	DRAWN BY DAVE MILLS
REVISIONS	XX-XX-2026		
REVISIONS	XX-XX-2025		
REVISIONS	XX-XX-2025		



COUNTY ROAD
380
CRUSH AND
SHAPE,
TRENCH AND
WIDEN.

VAN BUREN COUNTY ROAD COMMISSION
325 W. JAMES ST., P.O. BOX 156
LAWRENCE, MI 49064

PLAN SET

STA 77+50 - 82+52



459.2930

MARCH 27, 2026

DATE	04-30-2025
DRAWN	XX-XX-2026
REVISIONS	XX-XX-2025
REVISIONS	XX-XX-2025
REVISIONS	XX-XX-2025
PAGE 5 OF 5	
DRAWN BY	DAVE MILLS

Pay Item	Description	Quantity	Units	Unit Price		Bid Amount	
				Dollars	Cts	Dollars	Cts
1100001	Mobilization, Max	1	LSUM				
2030001	Culv, Rem, Less than 24 inch	24	Ea				
2030002	Culv, Rem, 24 inch to 48 inch	1	Ea				
2040025	Fence, Rem	10	Ft				
2040050	Pavt, Rem	55	Syd				
2050011	Embankment, LM	300	Cyd				
2057000	Machine Grading, Modified	39	Sta				
2080036	Erosion Control, Silt Fence	150	Ft				
3020001	Aggregate Base 2" Prior to Crushing	915	Ton				
3020001	Aggregate Base 6" in Trench	1,400	Ton				
3050002	HMA Base Crushing and Shaping	12,100	Syd				
3060020	Maintenance Gravel	25	Ton				
3070021	Approach, CI II	360	Ton				
3070127	Shld, CI II, 5 inch	1,800	Syd				
3070200	Trenching	78	Sta				
4010055	Culv End Sect, Conc, 48 inch	2	Ea				
4010095	Culv End Sect, Metal, 15 inch	48	Ea				
4010172	Culv, CI A, Conc, 48 inch	48	Ft				
4010676	Culv, CI F, CSP, 15 inch	720	Ft				
5010061	HMA Approach	75	Ton				
5012024	HMA, 4EL	3,080	Ton				
8010001	Driveway, Reinf Conc, 6 inch	25	Syd				

Pay Item	Description	Quantity	Units	Unit Price		Bid Amount	
				Dollars	Cts	Dollars	Cts
8070095	Post, Mailbox	23	Ea				
8100371	Post, Steel, 3 pound	90	Ft				
8100402	Sign, Type III, Erect, Salv	2	Ea				
8100403	Sign, Type III, Rem	2	Ea				
8100405	Sign, Type IIIB	25	Sft				
8102003	Sign, Type III, Rem, Salv	2	Ea				
8102010	Ground Mtd Sign Support, Rem	4	Ea				
8110045	Pavt Mrkg, Ovly Cold Plastic, 24 inch, Stop Bar	40	Ft				
8110231	Pavt Mrkg, Waterborne, 4 inch, White	7,770	Ft				
8110232	Pavt Mrkg, Waterborne, 4 inch, Yellow	3,875	Ft				
8110550	Protective Ovly, Snowmobile Trail Crossing	35	Syd				
8120012	Barricade, Type III, High Intensity, Double Sided, Lighted, Furn	6	Ea				
8120013	Barricade, Type III, High Intensity, Double Sided, Lighted, Oper	6	Ea				
8120035	Channelizing Device, 42 inch, Fluorescent, Furn	100	Ea				
8120036	Channelizing Device, 42 inch, Fluorescent, Oper	100	Ea				
8120100	Dust Palliative, Applied	20	Ton				
8120170	Minor Traf Devices	1	LSUM				
8120350	Sign, Type B, Temp, Prismatic, Furn	701	Sft				
8120351	Sign, Type B, Temp, Prismatic, Oper	701	Sft				
8120370	Traf Regulator Control	1	LSUM				
8130010	Riprap, Plain	25	Syd				

Pay Item	Description	Quantity	Units	Unit Price		Bid Amount		
				Dollars	Cts	Dollars	Cts	
8160020	Fertilizer, Chemical Nutrient, CI A	395	Lb					
8160025	Mulch	14,650	Syd					
8160026	Mulch Anchoring	14,650	Syd					
8160027	Mulch Blanket	500	Syd					
8160042	Seeding, Mixture TUF	628	Lb					
8167051	_ Extended Restoration	1	LSUM					
8210010	Monument Preservation	1	Ea					
Total Bid:								

Contractor: _____

(Signature) (Date)

(Printed Name of Signer) (Email)

(Mailing Address) (Phone #)

(City, St, Zip)